

Operation

Operation Instructions



WARNING

To reduce the risk of fire, electric shock, or injury to persons, read the **IMPORTANT SAFETY INSTRUCTIONS** before operating this appliance.

W727



WARNING

To reduce the risk of fire and risk of lint collecting in exhaust duct, do not operate dryer without lint filter in place.

W771

IMPORTANT: Remove all objects from pockets such as lighters and matches.

This appliance shall not be used to dry off solvents or dry cleaning fluids.

IMPORTANT: Before using dryer for the first time, use an all-purpose cleaner, or a detergent and water solution, and a damp cloth to remove shipping dust from inside of dryer drum.

IMPORTANT: Remove all sharp objects from laundry to avoid tears and rips to items during normal machine operation.

Clean Lint Filter

Clean lint filter before each use.

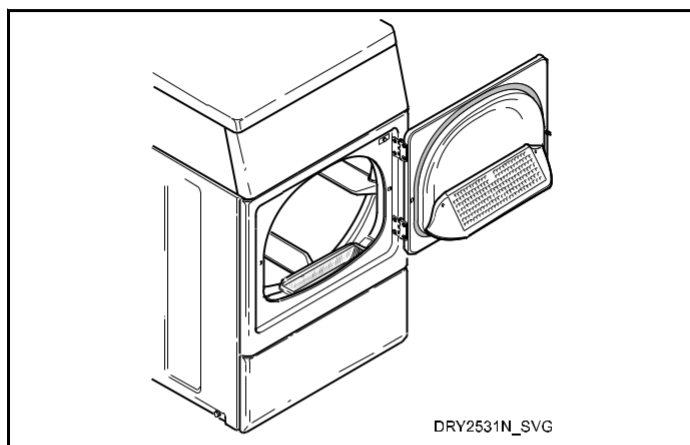


Figure 21

Load Laundry

1. Load clothes loosely into dryer drum (8.2 Kg [18.0 lbs.] maximum dry clothes load).
2. Add fabric softener sheet if desired.

IMPORTANT: To avoid damage to dryer, do not use more than one fabric softener sheet per load.

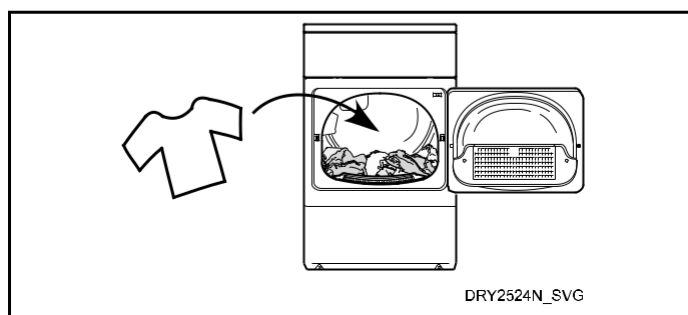


Figure 22

Close Loading Door

1. Close loading door.
2. Dryer will not operate with the door open.

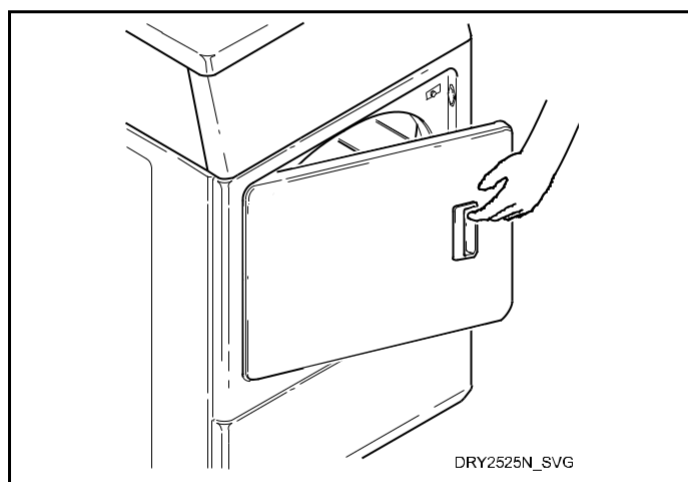


Figure 23

Set Fabric Selector

Select Fabric/Temperature setting.



High Temp

DRY2677N_SVG



Medium Temp

DRY2678N_SVG



Low Temp

DRY1935N_SVG



Delicates

DRY2679N_SVG



Drying

DRY2653N_SVG



Cool Down

DRY2680N_SVG

NOTE: Always follow manufacturer's care labels.

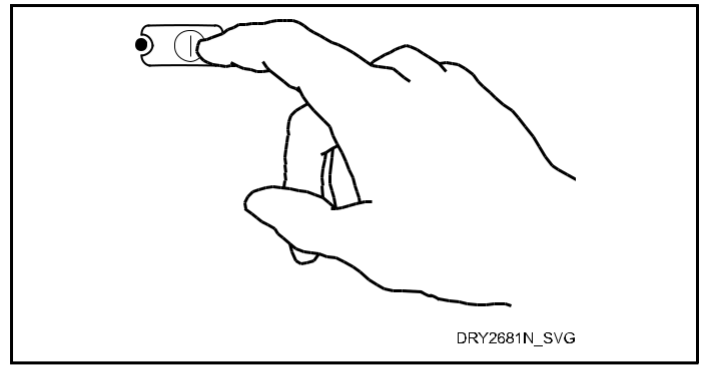


Figure 24

IMPORTANT: The final part of dryer cycle occurs without heat (cool down cycle) to ensure that items in dryer are left at a temperature that ensures that the items will not be damaged.



WARNING

To prevent the risk of fire, never stop a dryer before the end of the drying cycle unless all items are quickly removed and spread out so that the heat is dissipated.

W756

NOTE: This machine includes an extended tumble feature. Starting 20 minutes after a cycle ends, the cylinder will tumble for two minutes every hour without heat, up to 18 hours or until door is opened.

Remove Laundry

Remove laundry immediately after dryer stops.

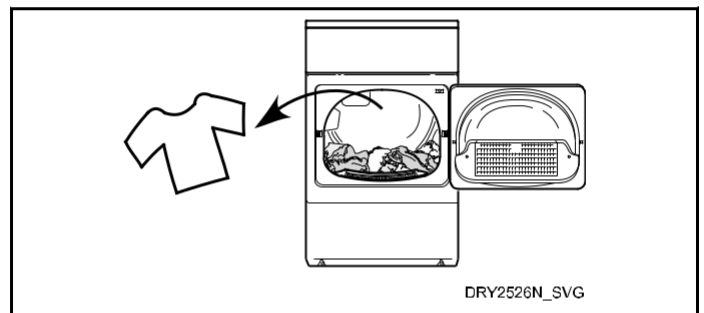


Figure 25



WARNING

To prevent the risk of fire, remove laundry immediately in case of power failure.

W779

Start Dryer

1. To start dryer, push START pad.
2. To stop dryer at any time, open the door.
3. To restart the dryer, close door and push START pad. Cycle is completed when time remaining reaches 00 minutes.

If Additional Time Feature is turned on, additional dryer time may be purchased at cycle start or while dryer is running.

Remove knits when slightly damp because overdrying may cause shrinkage. Do not tumble dry knit woolsens.